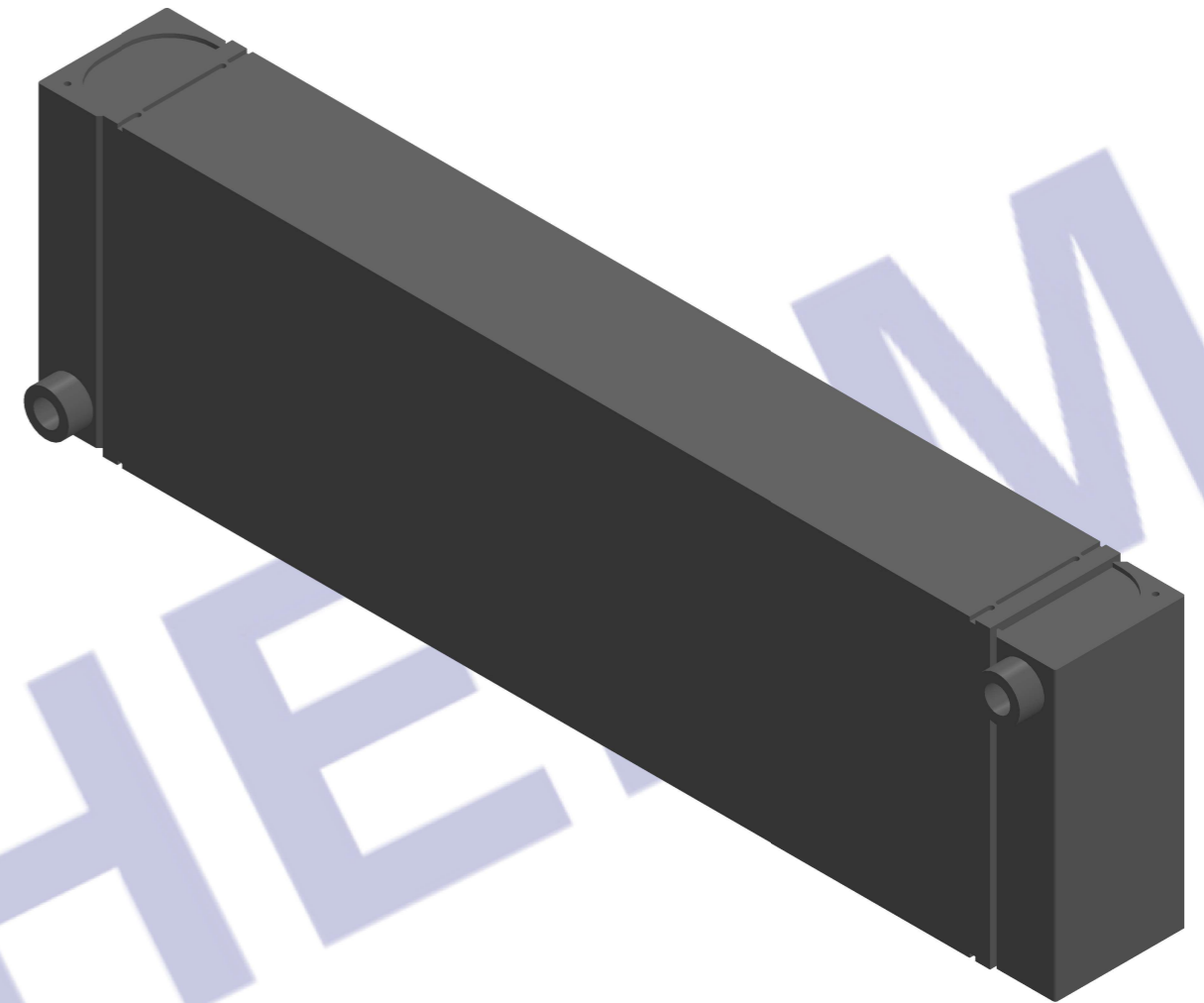


1-5/16" UNO FEMALE
INLET/OUTLET
(2 PLACES)



DESCRIPTION	OIL COOLER
PART NUMBER	CL240764
INDUSTRY REFERENCE	--
APPLICATION	CASE 8000 SUGAR CANE HARVESTER
WEIGHT (KG)	33.20

DO NOT SCALE DRAWING

